

**GYPROCK®**

Everything else is just plasterboard

# Your home, your style

Gyprock® Cornice Range



# Little things mean a lot

**Even the smallest details can make a difference to the aesthetic harmony of a room. Gyprock® cornices are the perfect finishing touch to help you create the style you are looking for, especially when balanced with other interior design features.**

## **Choosing your Gyprock cornice**

Choosing the Gyprock cornice that's right for your home is more about your personal style than any hard and fast interior design rules. There is a wide range of Gyprock cornices, from simple styles that are right at home with any décor, to styles that are designed to complement other key architectural and internal design elements such as architraves and skirtings. So if you are planning a contemporary designer décor with square finished window frames or chamfered skirtings, a cornice with more clean, geometric lines would be a good choice. With more traditional furniture styles and colonial architraves, a cornice with more formal curves and accents may be a better complementary choice. Gyprock cornices vary in profile depth and smaller cornices can improve the perception of height and space in rooms with lower ceilings.

## **Form and function**

Upgrading your cornice needn't be a 'whole of house' decision. Gyprock cornice is an easy and cost effective way to make a subtle or dramatic style statement in special rooms and areas of your home. Your cornice choice can enhance the sense of place in your entrance hall, formal living or dining room while standard cornice or a simpler style is used in more functional utility rooms and bedrooms.

Gyprock is Australia's leading plasterboard manufacturer and whether your cornice is installed by your builder or by you, following our simple DIY installation guides, Gyprock cornices are backed by our Manufactured For Life Warranty.





Take contemporary elegance a step further with extra detail for added style.



# The Gyprock® Cornice Range

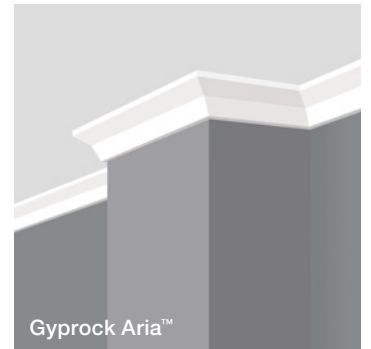
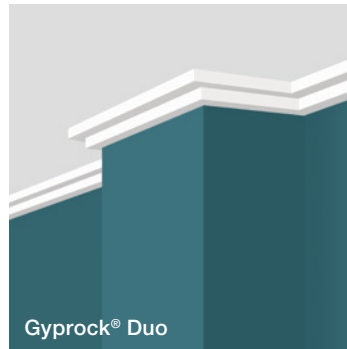
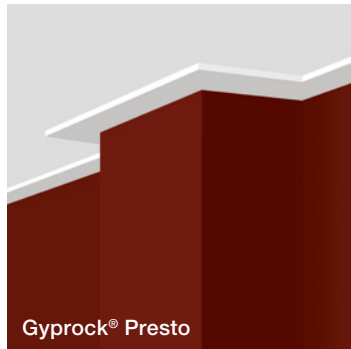
## Standard Cornice

Gyprock Cove has long been the standard cornice choice for Australian home builders. Its functional profile does not detract from common décor styles and it is available in three profile sizes (55, 75 & 90mm) to suit different ceiling heights and applications.



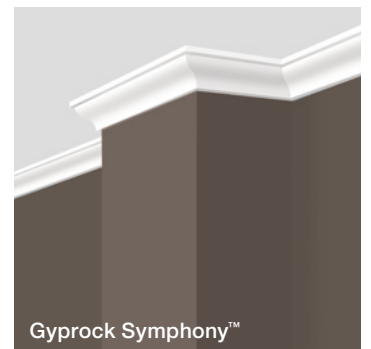
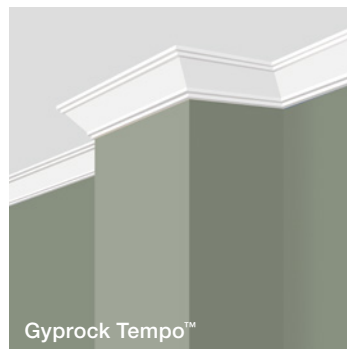
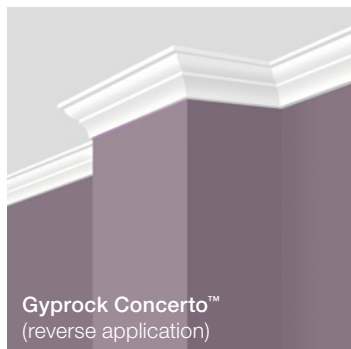
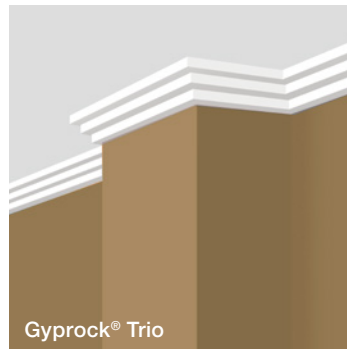
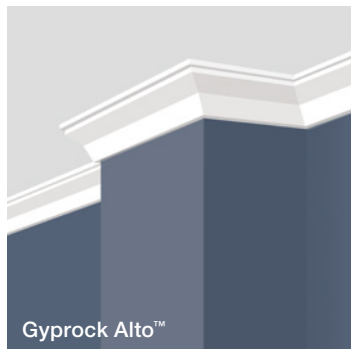
## The Contemporary Range

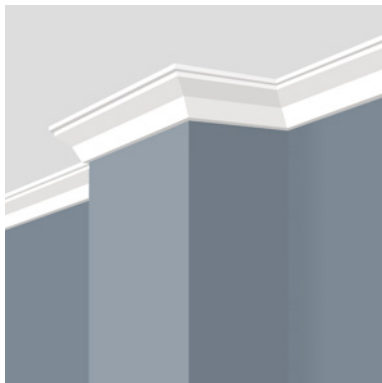
If your style calls for something a little more modern and streamlined, the Gyprock Contemporary range offers three more minimalistic profiles that will add interest with simple, fresh appeal.



## The Inspirations Range

Upgrading to a Gyprock® cornice from our Inspirations range will give your home a new dimension of style and detail. Whether minimal, traditional or modern in style, each has a unique and distinctive look that can add quality and value to your home.

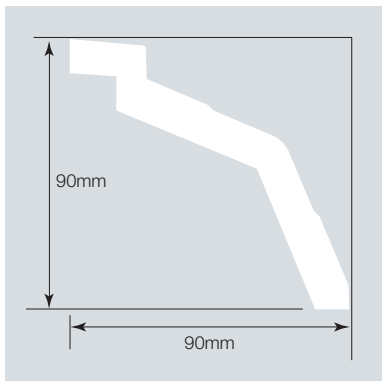




## Gyprock Alto™

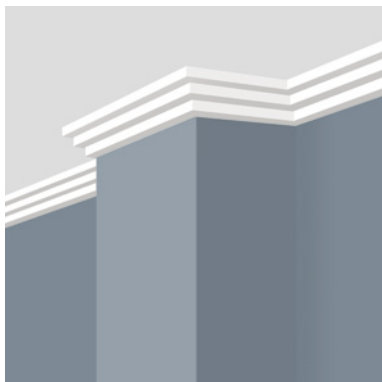
Alto presents a deeper profile with smooth surfaces complemented by a crisp shadow line at the ceiling. This 90mm profile delivers a simple, yet striking presence for contemporary style homes.

- 90mm profile
- 10mm step along ceiling edge



For a more simple style in utility rooms and bedrooms, Gyprock Aria™ is the ideal complementary choice.

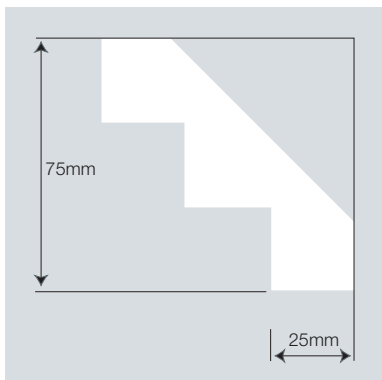





## Gyprock® Trio

With its dramatic 3-step profile and strong, modern lines, Trio brings a refreshing style to any room. Featuring a compact, 75mm profile Trio is the ideal complement to modern décor.

- 75mm profile
- Modern 3-step design



For a more minimalistic profile size in areas such as hallways and utility rooms, Gyprock® Duo is the perfect partner profile.



A three step profile  
providing modern,  
symmetrical lines  
for all ceiling heights.



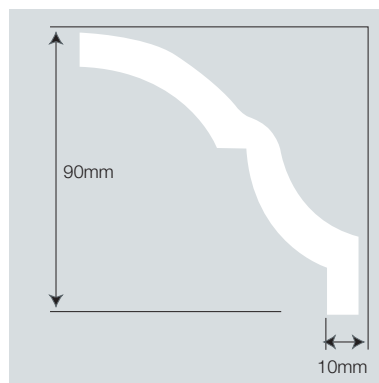
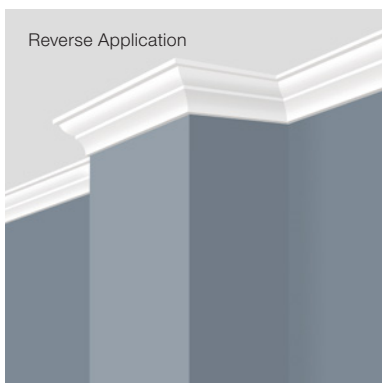


## Gyprock Concerto™

A versatile performer, by day Concerto combines smooth curves and distinctive lines for a modern architectural profile. By evening, its subtle centre step creates a dramatic shadow that changes the mood of the room. Concerto can also be installed reversed towards the ceiling for a different look.

- 90mm profile
- Smooth curves and sharp centre step
- Can be installed reversed for a completely different effect

**Note: Both room images show reverse application**



The soft curves of Gyprock Symphony™ complement Concerto perfectly to give spaces like dining and lounge rooms a more traditional or formal style.





The centre step  
of Concerto adds  
a dramatic shadow  
feature to introduce  
a more formal style.

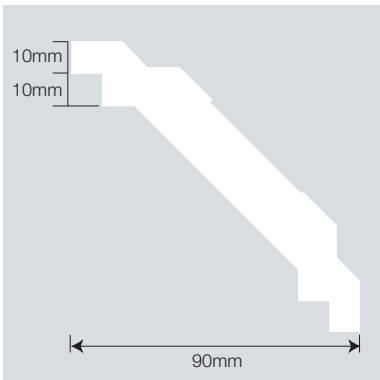




## Gyprock Tempo™

Featuring multiple shadow effects, Tempo gives every room a designer edge with strong lines and clean surfaces. Easy to install over existing cornice, Tempo is a popular choice for contemporary interior upgrades.

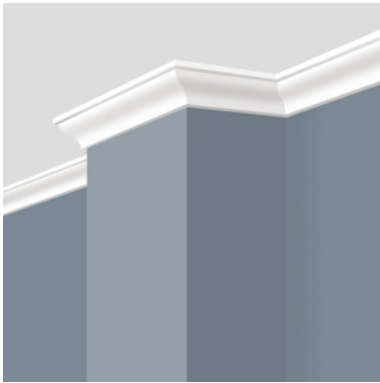
- 90mm profile
- A multiple shadow line creates a designer edge with a crisp modern feel







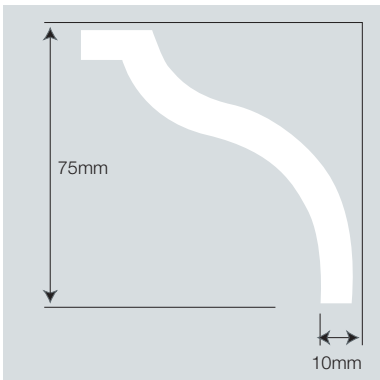
Tempo's modern lines and 90mm profile lifts the sense of space in contemporary, designer decorated rooms.



## Gyprock Symphony™

A timeless design with a more traditional character, Symphony hits all the right notes. Inspired by European master craftsmen with its flowing lines and multi-dimensional curves, Symphony gives an elegant touch to any room.

- 75mm profile
- Combines a strong shadow line with an attractive wave effect

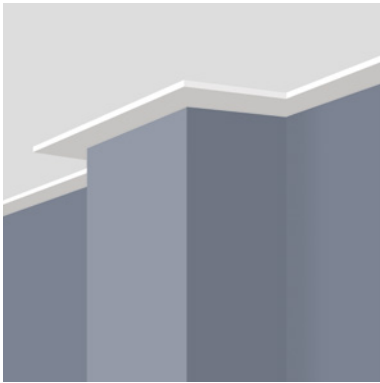


For a more modern style that combines smooth curves and a dramatic centre step, Gyprock Concerto™ is the an ideal complementary profile.





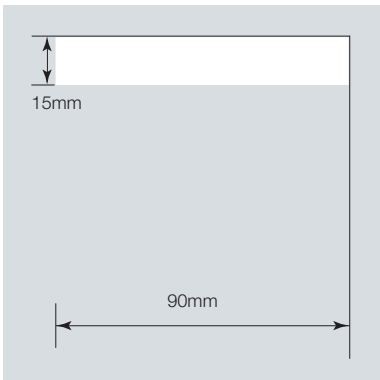
A more traditional or formal style to complement room features with softer curves – ideally suited to lower ceilings.



## Gyprock® Presto

The smart and subtle design of Gyprock Presto provides a quick to cut, fast to install cornice with a clean, modern finish. This functional profile features a 90mm flat face that creates a 15mm step along the ceiling.

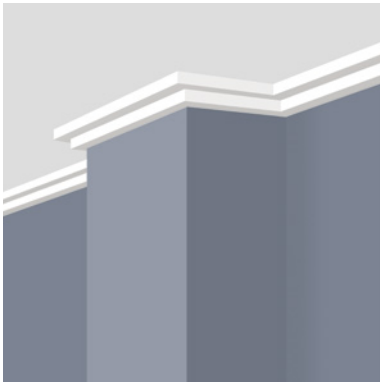
- 90mm profile
- Smart, subtle design







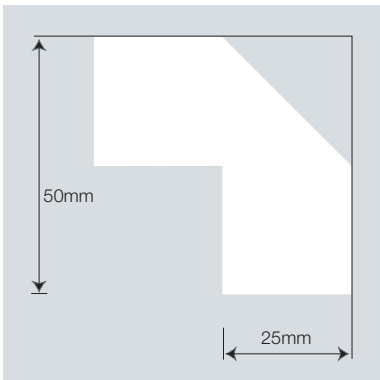
Presto's simple and clean line provides a modern and understated architectural feature for any room.



## Gyprock® Duo

The simple, strong profile design of Gyprock Duo features modern lines for a short, sharp statement. This minimalistic, 50mm profile is ideally suited to modern homes and décor.

- 50mm profile
- Simple, sharp design



Gyprock® Trio is an ideal matching profile that provides a slightly larger form factor for more dramatic style in spaces such as living and dining rooms.





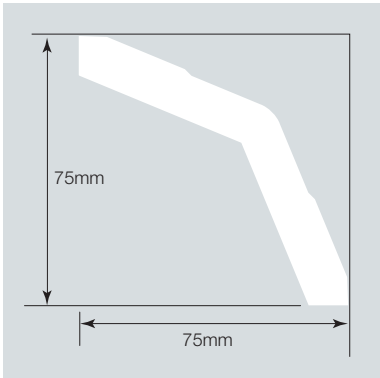
A two step profile  
that makes a short  
but sharp statement  
in contemporary rooms  
with modern décor.



## Gyprock Aria™

Aria features a slimline profile with a subtle centre deflection design that creates a contemporary feel. The compact, 75mm profile and simple styling is a perfect companion to modern décor and trims.

- 75mm profile
- Clean, elegant design



If you are looking for a complementary style cornice to add extra dimension to a special area in your home, Gyprock Alto™ is the perfect companion to Aria.





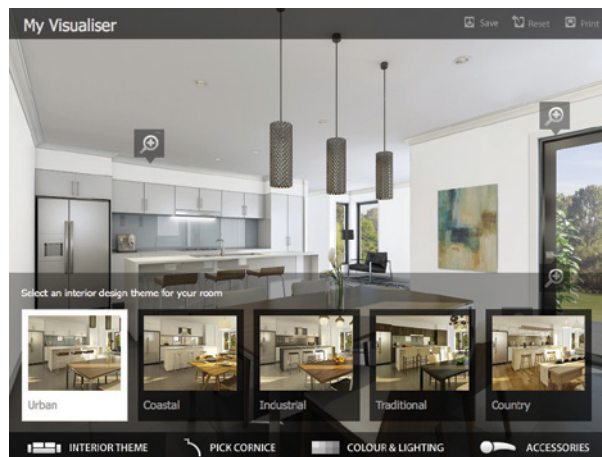
A smooth,  
streamlined profile with  
clean lines to create  
simple, contemporary  
elegance.

## A finishing touch: Visualise your finishing touches online

Still unsure which cornice will work best for your style?  
Visit [gyprock.com.au/myvisualiser](http://gyprock.com.au/myvisualiser)

Our interactive room visualiser will allow you to see how Gyprock cornices look in a variety of room styles with your choice of wall colour, ceiling height, lighting effects and accessories.

To see the range of Gyprock cornices, ask your builder or visit a Gyprock Specialist Distributor. For your nearest Gyprock Trade™ centre or Internal Lining Specialist, visit [www.gyprock.com.au](http://www.gyprock.com.au)



# GYPROCK®

Everything else is just plasterboard

For more information  
about the Gyprock® cornice  
range, call 1300 306 556  
or visit [gyprock.com.au](http://gyprock.com.au)

Trinity 3, 39 Delhi Road, North Ryde, NSW 2113, Australia  
CSR Building Products ABN 55 008 631 356

